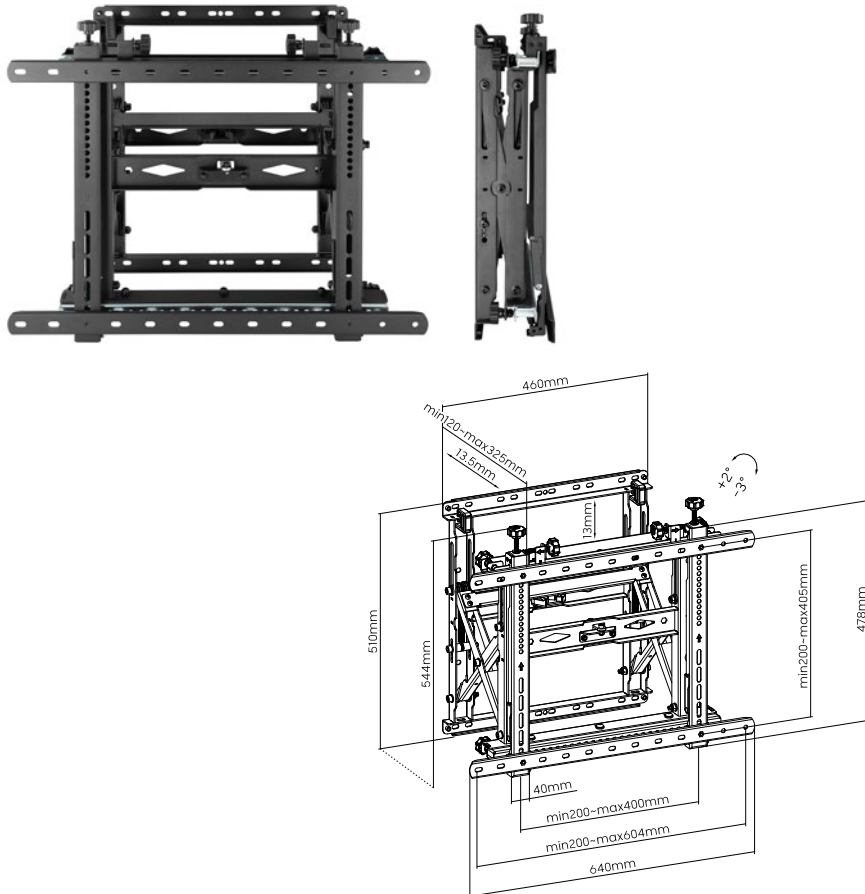


The VVIDWALLPL Optimal Full Service Video Wall Mount is easy to configure, quick to install and a snap to maintain. A robust structure loaded with time-saving features like toolless micro-adjustments and easy access to the display for quick serviceability. Support portrait or landscape viewing for different viewing experiences. It couldn't be simpler. It couldn't be more optimal!



SPECIFICATIONS

Product Category	Video Wall Mount	Weight Capacity (Per Screen)	70kg (154lbs)
Rank	Premium	Screen Quantity	1
Material	Steel, Plastic	Strength Tested	4 Times Approved
Metal Sheet Thickness	Wall Plate THK=2.5mm pickling sheet, Bracket Arm THK=2mm cold-rolled sheet	Profile	120-325mm (4.7-12.8")
Surface Finish	Powder Coating	Fine Adjustment (Depth/Height)	13.5mm/13mm (0.53"/0.51")
Colour	Fine Texture Black	Tilt Range	+2°--3°
Colour (accessory)	Fine Texture Black	Installation	Solid Wall
Dimensions	640×120-325×544mm (25.2×4.7"-12.8×21.4")	Direction Indicator	Yes
Fit Screen Size	45"-70"	Cable Management	No
VESA Compatible	200×200, 300×200, 400×200, 300×300, 400×300, 400×400, 600×400	Anti-theft	Yes
Max. Mounting Hole	604×405	Bubble Level	No
		Accessory Kit Package	Recyclable paper bag