

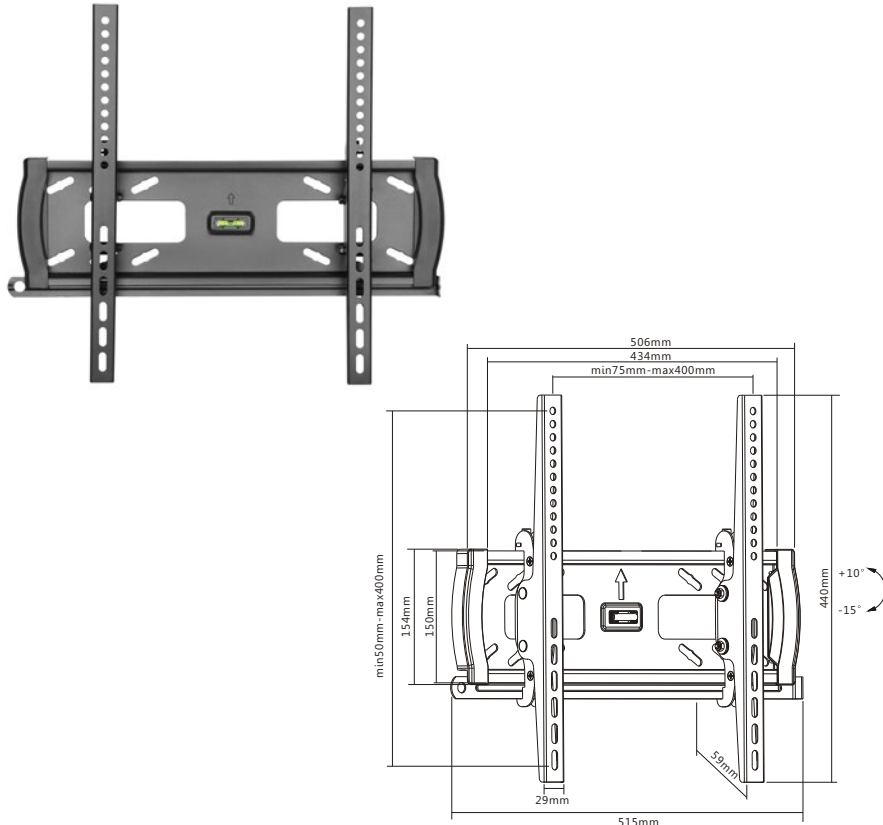
# VWM400T

## Anti-Theft Heavy-Duty Tilting Curved & Flat Panel TV Wall Mount

For most 32"-55" curved & flat panel TVs



Easy to use and install, the popular model **VWM400T** is designed to fit any 32"-55" curved & flat panel TVs up to 45kg/99lbs. It features preset height and leveling adjustments that allow TV to be perfectly positioned after hanging. This unit mounts in tilting position and tilts up to a 15° to position the screen for an optimal viewing experience. Strength has been tested for a minimum of four times its stated load capacity. The locking bar provides anti-theft function which will require a padlock. It also has side decorative caps for an elegant look. Compatible with VESA hole up to 400×400.



### SPECIFICATIONS

<b>Product Category</b>	Tilt TV Wall Mount	<b>Weight Capacity</b>	45kg (99lbs)
<b>Rank</b>	Standard	<b>Strength Tested</b>	4 Times Approved
<b>Material</b>	Steel, Plastic	<b>Profile</b>	59mm (2.3")
<b>Metal Sheet Thickness</b>	Bracket Arm THK=1.5mm cold-rolled sheet, Wall Plate THK=2mm cold-rolled sheet (Bracket Arm THK=0.059" cold-rolled sheet, Wall Plate THK=0.079" cold-rolled sheet)	<b>Tilt Range</b>	-15° ~+10°
<b>Surface Finish</b>	Powder Coating	<b>Screen Level</b>	±8mm
<b>Colour</b>	Fine Texture Black	<b>Screen Freely Tilting</b>	Yes
<b>Dimensions</b>	59×515×440mm (2.3×20.3×17.3")	<b>Installation</b>	Solid Wall, Double Stud (406mm)
<b>Fit Screen Size</b>	32"—55"	<b>Panel Type</b>	Detachable Panel
<b>Fit Curved TV</b>	Yes	<b>Wall Plate Type</b>	Fixed Wall Plate
<b>Mounting Hole Pattern</b>	VESA & Universal	<b>Cable Management</b>	No
<b>VESA Compatible</b>	200×200, 400×200, 300×300, 400×400	<b>Anti-theft</b>	Yes
<b>Max. Mounting Hole</b>	400×400	<b>Bubble Level</b>	Built-in Bubble Level (Integrated on Wall Plate/VESA Panel)
		<b>Accessory Kit Package</b>	Recyclable paper bag
		<b>Certification</b>	UL