

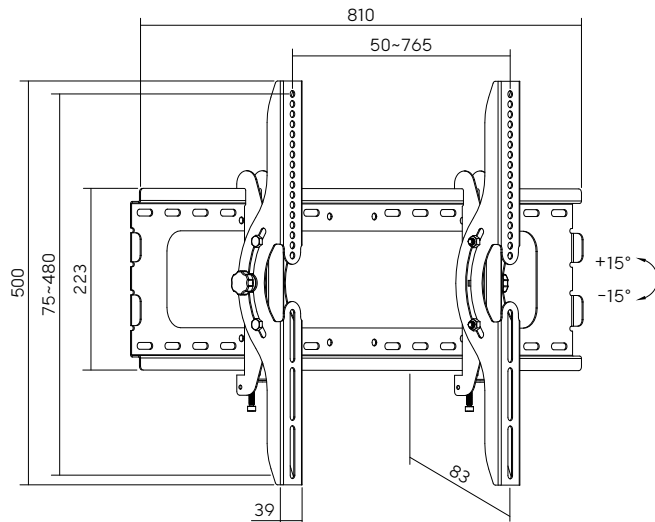
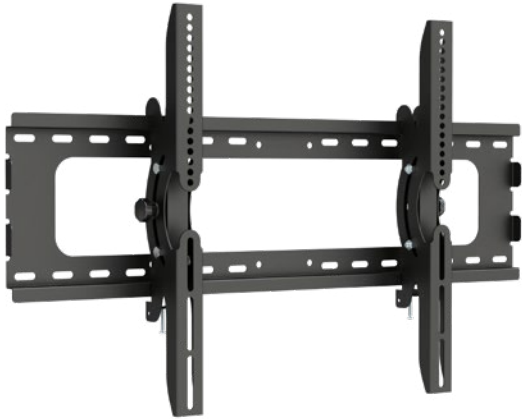
VWM600THD

Classic Heavy-Duty Tilting Curved & Flat Panel TV Wall Mount

For most 37"-70" curved & flat panel TVs



Easy to use and install, the popular model **VWM600THD** is designed to fit any 37"-70" curved & flat panel TVs up to 75kg/165lbs. This unit mounts in tilting position and tilts up to a 15° to position the screen for an optimal viewing experience. Open architecture provides superior ventilation and easy access for wiring. Compatible with VESA hole up to 600×400.



SPECIFICATIONS

Product Category	Tilt TV Wall Mount	VESA Compatible	200×200, 400×200, 300×300, 400×400, 600×400
Rank	Standard	Max. Mounting Hole	600×400
Material	Steel	Weight Capacity	75kg (165lbs)
Metal Sheet Thickness	Bracket Arm THK=1.8mm cold-rolled sheet, Wall Plate THK=1.8mm cold-rolled sheet (Bracket Arm THK=0.071" cold-rolled sheet, Wall Plate THK=0.071" cold-rolled sheet)	Strength Tested	3 Times Approved
Surface Finish	Powder Coating	Profile	83mm (3.3")
Colour	Fine Texture Black	Tilt Range	+15°--15°
Dimensions	83×810×500mm (3.3×31.9×19.7")	Installation	Solid Wall, Double Stud (406mm/450mm/600mm)
Fit Screen Size	37"–70"	Panel Type	Detachable Panel
Fit Curved TV	Yes	Wall Plate Type	Fixed Wall Plate
Mounting Hole Pattern	VESA & Universal	Cable Management	No
		Anti-theft	No
		Bubble Level	No